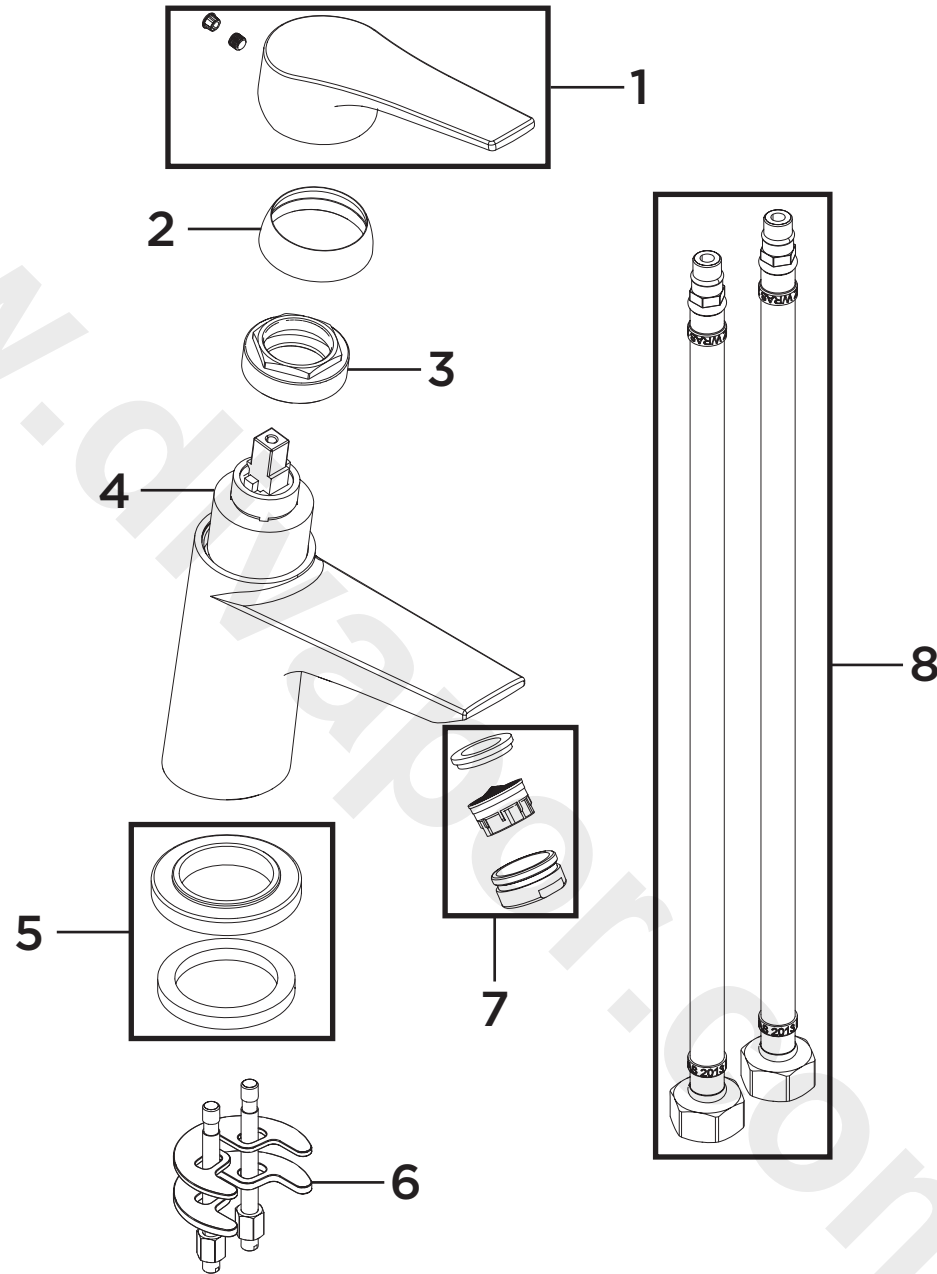


Product Code: VT2 BASNW C

Revision: D1



1	Handle Assembly
2	Shroud
3	Cartridge Retaining Nut
4	35mm Cartridge
5	Plinth & Washer
6	Fixing Kit
7	M22 Aerator
8	1/2" BSP Flexible Tails